



Toggle (Snap) Switch



**701X
SERIES**

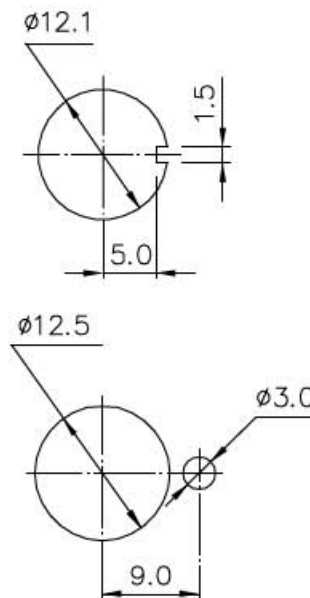
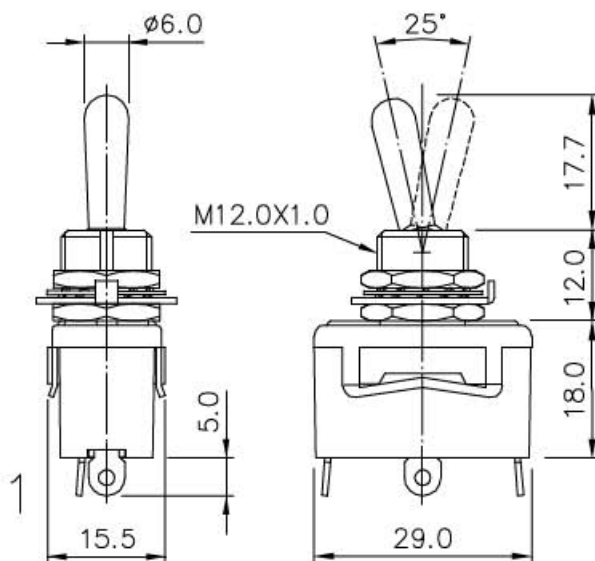
SPECIFICATION



RATING	: 15A 125VAC , 10A 250VAC (UL,C-UL) 20A 125/250VAC (IN HOUSE TEST)
INSULATION RESISTANCE	: DC 500V 100MΩ OR MORE
CONTACT RESISTANCE	: DC 2-4V 1A 20mΩ OR LESS
WITHSTAND VOLTAGE	: AC 1500V FOR 1 Min
AMBIENT TEMPERATURE	: 0 °C TO 55 °C
ELECTRICAL LIFE	: 6,000 CYCLES

HOW TO ORDER

701 □ - □ - □ - □

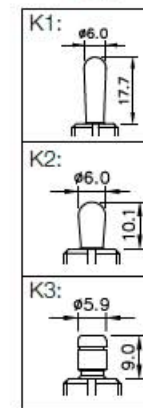


PANEL LAYOUT

SWITCH FUNCTION

7011	: ON-OFF
7012	: ON-ON
7013	: ON-OFF-ON
7014	: (ON)-OFF
7015	: ON-(ON)
7016	: (ON)-OFF-(ON)
7017	: ON-OFF-(ON)

SHAFT



RATING

C1: (UL)	10A 250VAC 15A 125VAC
C1:	20A 250VAC 20A 125VAC
C2:	10A 250VAC 15A 125VAC
C3:	10A 250VAC 15A 125VAC

TERMINAL

