



Socket (Connector)



**3527
SERIES**

SPECIFICATION

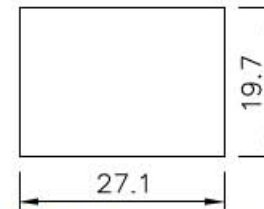
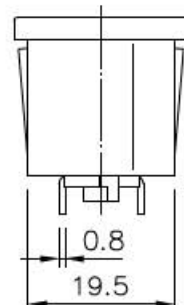
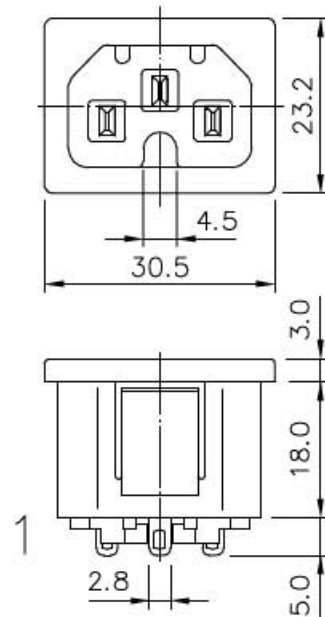


RATING : 15A 250VAC (UL,C-UL)
10A 250V~ (ENEC)

INSULATION RESISTANCE : DC 500V 100MΩ OR MORE

WITHSTAND VOLTAGE : AC 1500V FOR 1 Min

Standards: IEC60320/C16



**MOUNTING HOLE
(FOR REFERENCE)**

PANEL THICK: 1.0, 1.2, 1.5, 2.0

