

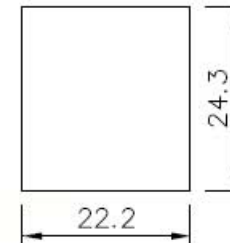
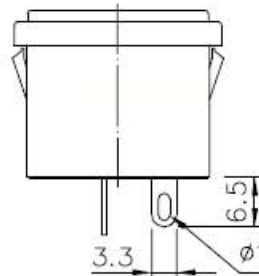
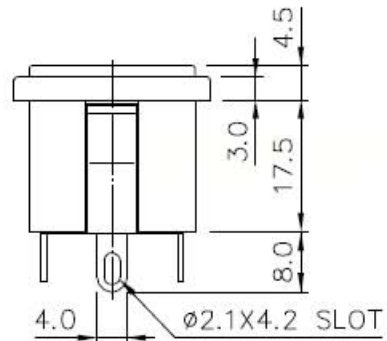
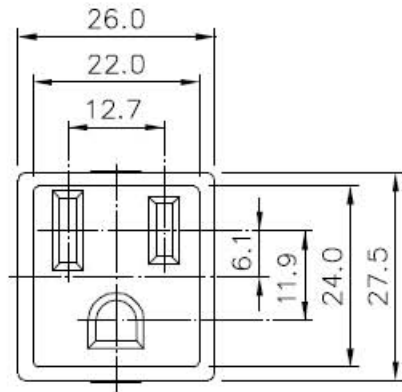


SPECIFICATION



RATING	: 15A 125VAC
INSULATION RESISTANCE	: DC 500V 100MΩ OR MORE
WITHSTAND VOLTAGE	: AC 1500V FOR 1 Min
AMBIENT TEMPERATURE	: 0°C TO 55°C

3514 SERIES



MOUNTING HOLE
(FOR REFERENCE)

PANEL THICK { 1.0~1.2
2.0~2.5