

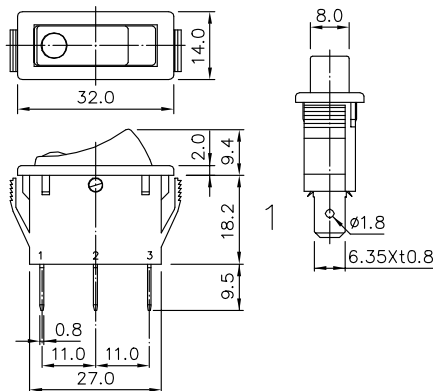


3073
SERIES

SPECIFICATION

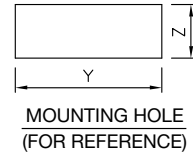


RATING	: 16A 125VAC 1/ 3HP ,16A 250VAC 1/ 2HP (UL,C-UL) A. 16(6)A 250V~μ T125/55 (ENEC) B. 16(6)A 250V~ T125/55 (ENEC)
INSULATION RESISTANCE	: DC 500V 100MΩ OR MORE
CONTACT RESISTANCE	: DC 2-4V 1A 20mΩ OR LESS
WITHSTAND VOLTAGE	: AC 1500V FOR 1 Min
AMBIENT TEMPERATURE	: 0 °C TO 125 °C
ELECTRICAL LIFE	: 10,000 CYCLES



X	Y	Z
0.75~1.25	30.1 +0.1	11.0 +0.1
1.25~2.0	30.2 +0.1	11.0 +0.1
2.0~3.0	30.6 +0.2	11.0 +0.1

X= PANEL THICK



HOW TO ORDER

3073 - □ - □ - □ - □ - □ - □ - □

KNOB	PRINT	LIGHT	CIRCUIT	TERMINAL	BODY	KNOB / BODY COLOR
K1: PC K2: NYLON66 	P0: NONE P1: P2: P3: AMBER COVER P4: RED COVER P5: OFF P6: P7: P8: P4+ P9: P4+ P10: P4+ P11: P12: P13: P14: P15:	L2: 125/250V	C01: ON-OFF C02: ON-ON C03: ON-OFF-ON C04: (ON)-OFF-(ON) C04: (ON)-OFF-ON	T1: 6.35x0.8 T2: T3: 6.35x0.8 T4: 4.75x0.8 	B01: ON-OFF, ON-ON B02: ON-OFF-ON B05: ON-OFF, ON-ON 	A: AMBER/BLACK B: BROWN/BROWN C: BLACK/BLACK D: RED/BLACK E: WHITE/WHITE F: AMBER/WHITE G: RED/WHITE H: GREEN/BLACK I: LIGHT BROWN /LIGHT BROWN J: WHITE/BLACK K: GRAY/BLACK L: GRAY/GRAY M: ORANGE/BLACK N: RED/GRAY