



# Rocker Switch

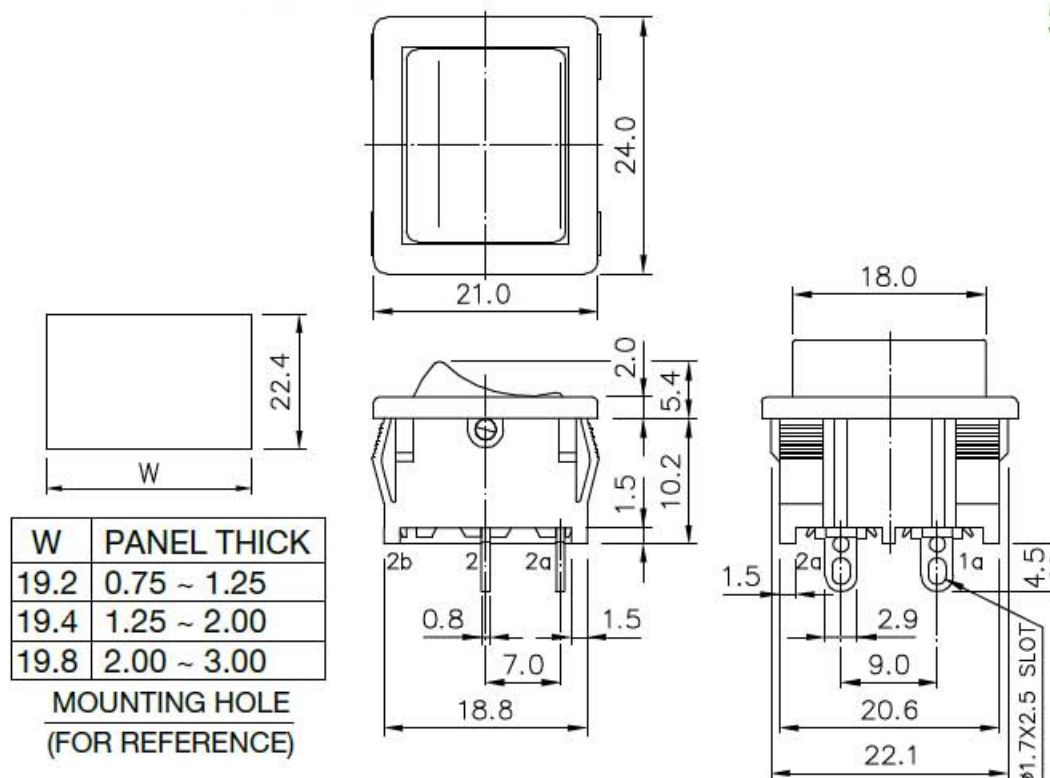


## SPECIFICATION



<b>RATING</b>	: 16A 125VAC , 10A 250VAC (UL,C-UL) 1/ 3HP 125/ 250VAC T105 (UL,C-UL) 16(4)A 250V~ T85 (ENEC)
<b>INSULATION RESISTANCE</b>	: DC 500V 100MΩ OR MORE
<b>CONTACT RESISTANCE</b>	: DC 2-4V 1A 20mΩ OR LESS
<b>WITHSTAND VOLTAGE</b>	: AC 1500V FOR 1 Min
<b>AMBIENT TEMPERATURE</b>	: 0 °C TO 85 °C
<b>ELECTRICAL LIFE</b>	: 10,000 CYCLES

## 3050 SERIES



## HOW TO ORDER

3050 - **K1** - □ - □ - □ - □ - □

PRINT	TERMINAL	CIRCUIT	KNOB COLOR
P0:	T1:	DS: DPST ON-OFF	BK: BLACK SW: SNOW WHITE
P1:	T2:	DD: DPDT ON-ON	BODY COLOR BK: BLACK SW: SNOW WHITE
P2:	T2A:	SD: SPDT ON-ON	
P3:	T4: 4.75x0.8	SS: SPST ON-OFF	
P4:	T5:		
P5:	T6:		
P6:	T7: 4.75x0.8		
P7:			