

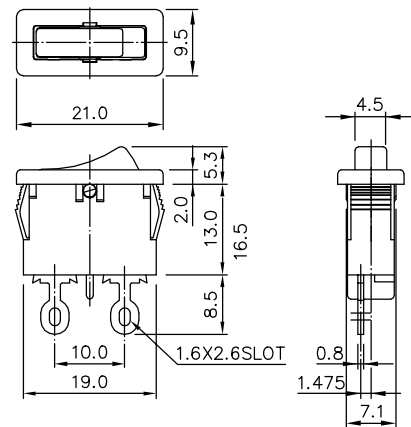
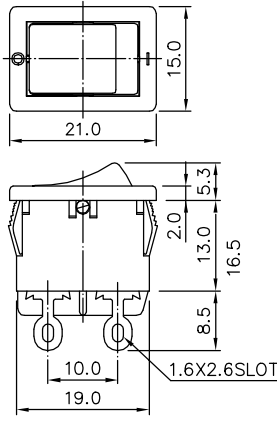


SPECIFICATION



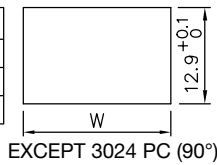
RATING	: 16(8)A 250~T85, 8/128A 250V~T85 TV-8 250V~(UL,C-UL) 16(8)A 250V~ T85 , 8/128A 250V~ (ENEC) (128A CAPACITIVE 10,000 OPERATIONS)
INSULATION RESISTANCE	: DC 500V 100MΩ OR MORE
CONTACT RESISTANCE	: DC 2-4V 1A 20mΩ OR LESS
WITHSTAND VOLTAGE	: AC 1500V FOR 1 Min
AMBIENT TEMPERATURE	: 0 °C TO 85 °C
ELECTRICAL LIFE	: 25,000 CYCLES

3024 SERIES



W	PANEL THICK
19.2	0.75 ~ 1.25
19.4	1.25 ~ 2.00
19.8	2.00 ~ 3.00

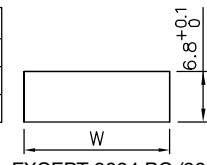
MOUNTING HOLE
(FOR REFERENCE)



EXCEPT 3024 PC (90°)

W	PANEL THICK
19.2	0.75 ~ 1.25
19.4	1.25 ~ 2.00
19.8	2.00 ~ 3.00

MOUNTING HOLE
(FOR REFERENCE)



EXCEPT 3024 PC (90°)

HOW TO ORDER

3024 - □ - □ - □ - □ - □ - □ - □

KNOB	PRINT	TERMINAL	CIRCUIT	BODY	KNOB COLOR	BODY COLOR
NONE 	P1: 	T1: t.0.8x4.0 	S: SPST	NONE 	BK: BLACK	BK: BLACK
K5: 	P10: 	T11: Ø1.4 	D: DPST	B12: PANEL THICK 1.5mm 	GY: GRAY	GY: GRAY
	P2: 	T2: t.0.8x4.75 		B03: PANEL THICK 0.8mm 	RD: RED	SW: SNOW WHITE
	P11: 	T12: Ø2.4 		B13: PANEL THICK 1.2mm 	SW: SNOW WHITE	WT: WHITE
	P3: 	T3: 		B04: 	WT: WHITE	YW: YELLOW WHITE
	P12: 	T14: 		B05: 	YW: YELLOW WHITE	
	P4: 	T4: 				
	P13: 	T15: 				
	P5: 	T6: 				
	P14: 	T16: 				
	P6: 	T7: 				
	P15: 	T17: 				
	P7: 	T8: 				
	P16: 	T19: 				
	P8: 	T9: 				
	P9: 	T20: 				
		T10: t.0.8x4.75 				