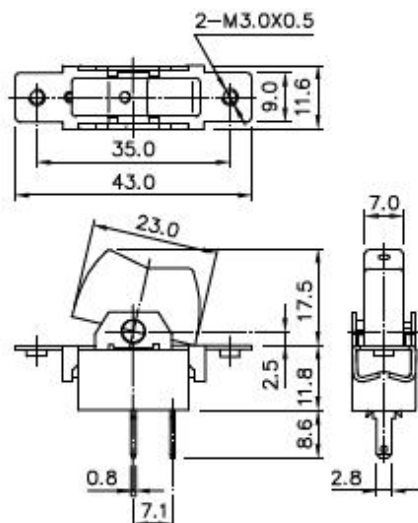


3003  
SERIES



## SPECIFICATION

RATING	: 3A 125VAC , 1A 250VAC (UL,C-UL)
INSULATION RESISTANCE	: DC 500V 100MΩ OR MORE
CONTACT RESISTANCE	: DC 2-4V 1A 20mΩ OR LESS
WITHSTAND VOLTAGE	: AC 1500V FOR 1 Min
AMBIENT TEMPERATURE	: 0 °C TO 55 °C
ELECTRICAL LIFE	: 6,000 CYCLES



## SWITCH FUNCTION

MODEL NO.	OFF	ON	OPERATIONS	APPROVAL
3003			SPST	