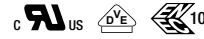


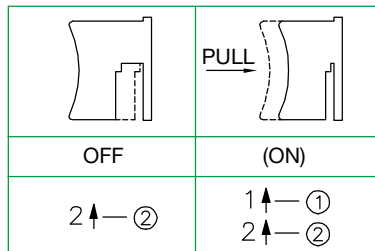
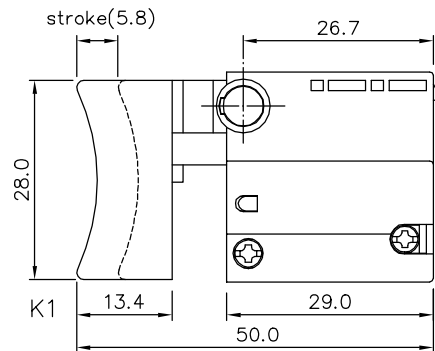
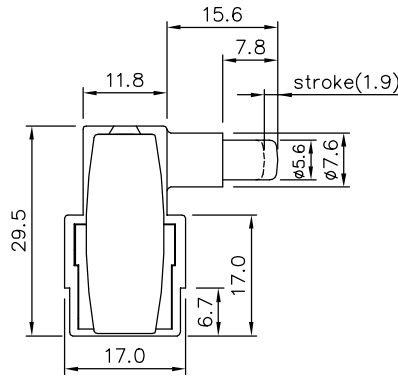


## SPECIFICATION

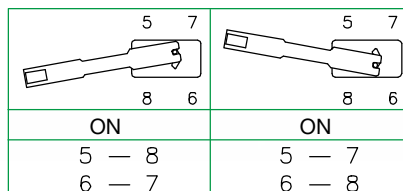
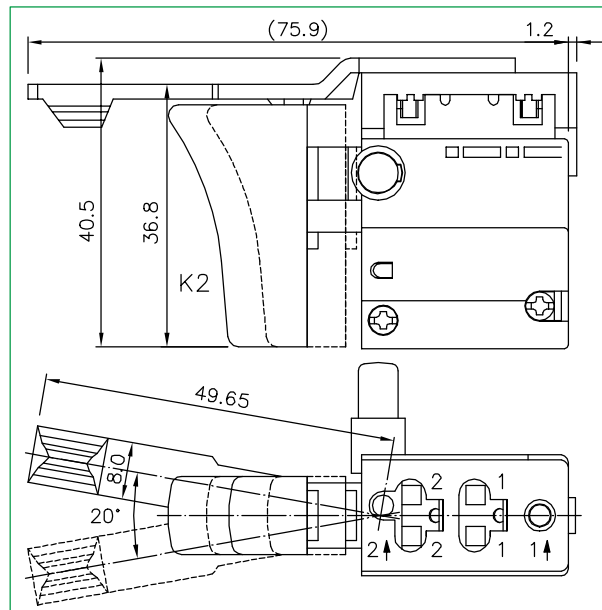
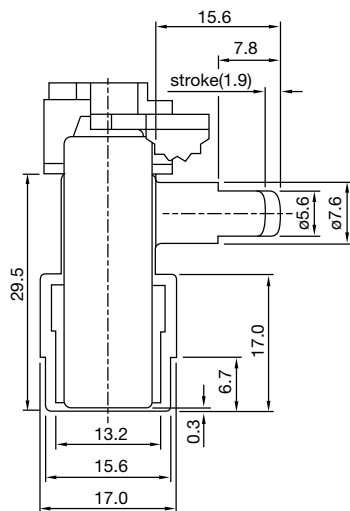
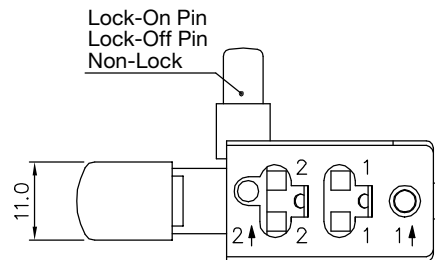


RATING	: 13A 125VAC , 6A 250VAC (UL,C-UL) 8(8)A 250V~ T55 5E4 (ENEC)
INSULATION RESISTANCE	: DC 500V 100MΩ OR MORE
CONTACT RESISTANCE	: DC 2-4V 1A 20mΩ OR LESS
WITHSTAND VOLTAGE	: AC 1500V FOR 1 Min
AMBIENT TEMPERATURE	: 0 °C TO 55 °C
ELECTRICAL LIFE	: 50,000 CYCLES

### 8301 SERIES

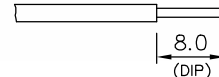


SWITCHING FUNCTION



SUPPLEMENTARY SWITCHING FUNCTION

THE PUSH-IN TERMINALS OF THE SWITCH ONLY CAN BE ASSEMBLED WITH DESCRIBED WIRE : 14 AWG ~ 22 AWG.(SOLID OR SOLDER-DIPPED STRANED)



INSTALLATION INSTRUCTIONS