

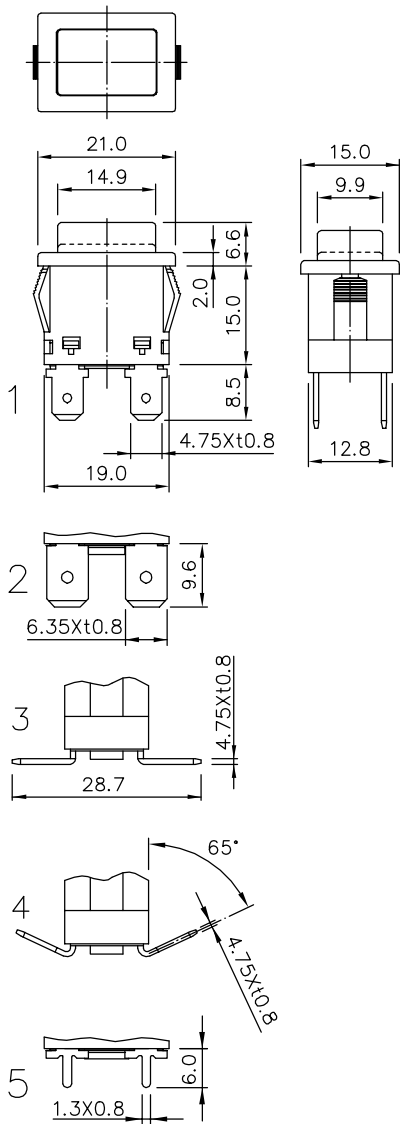


**8219
SERIES**

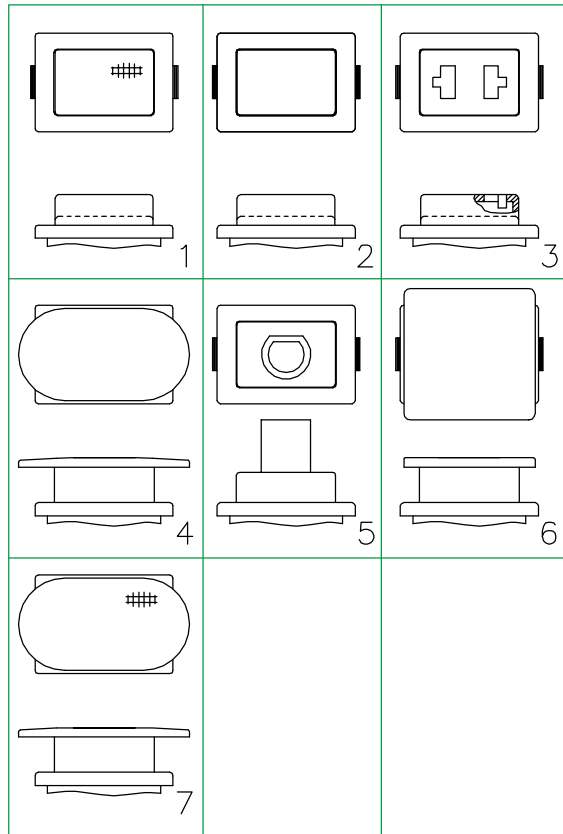
SPECIFICATION



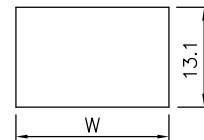
RATING	: 16A 125/ 250VAC (UL,C-UL) 3/4HP 125/ 250VAC (UL,C-UL) 12(8)A 250V~ T55 (ENEC)
INSULATION RESISTANCE	: DC 500V 100MΩ OR MORE
CONTACT RESISTANCE	: DC 2-4V 1A 20mΩ OR LESS
WITHSTAND VOLTAGE	: AC 1500V FOR 1 Min
AMBIENT TEMPERATURE	: 0 °C TO 55 °C
ELECTRICAL LIFE	: 10,000 CYCLES



KNOB TYPE



W	PANEL THICK
19.4	0.75 ~ 1.25
19.7	1.25 ~ 2.00
20.0	2.00 ~ 3.00



MOUNTING HOLE
(FOR REFERENCE)

SWITCH FUNCTION			
MODEL NO.			OPERATIONS
8219	OFF	ON	SPST
8219	OFF	ON	DPST
8219	OFF	(ON)	SPST
8219	OFF	(ON)	DPST



TERMINAL'S TYPE	
1	QUICK TERMINAL
2	QUICK TERMINAL
3	QUICK TERMINAL
4	QUICK TERMINAL
5	PC TERMINAL