

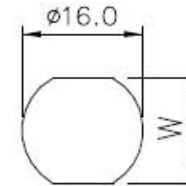
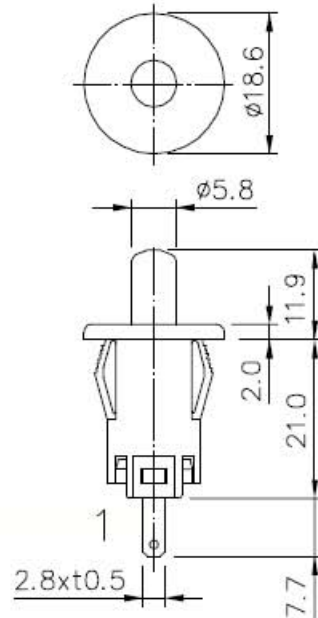


**8210
SERIES**

SPECIFICATION



RATING	: 0.3A 125V~ , 0.15A 250V~ T125 5E4 (ENEC) 0.5A 125/ 250V~ T125 5E4 (ENEC)
CIRCUIT	: ON - (OFF)
INSULATION RESISTANCE	: DC 500V 100MΩ OR MORE
CONTACT RESISTANCE	: DC 2-4V 1A 100Ω OR LESS
WITHSTAND VOLTAGE	: AC 1500V FOR 1 Min
AMBIENT TEMPERATURE	: 0 °C TO 125 °C
ELECTRICAL LIFE	: 50,000 CYCLES



W	PANEL THICK
13.8	1.0 ~ 1.5
14.6	1.5 ~ 3.0

MOUNTING HOLE
(FOR REFERENCE)