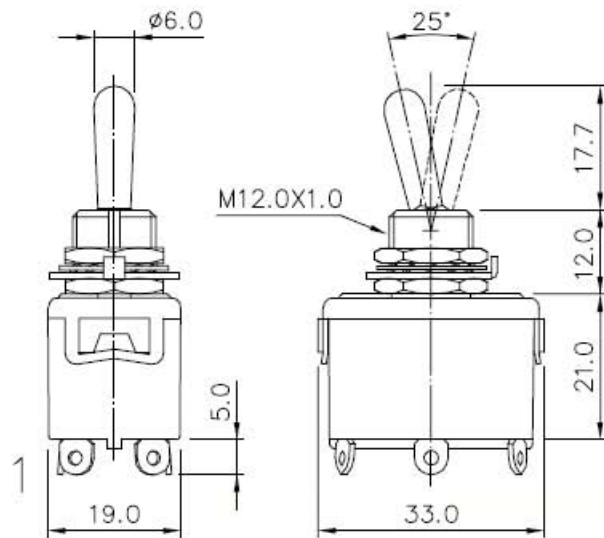




## 702X SERIES



## SPECIFICATION



RATING	: 15A 125VAC , 10A 250VAC (UL,C-UL) 20A 125/250VAC (IN HOUSE TEST)
INSULATION RESISTANCE	: DC 500V 100M $\Omega$ OR MORE
CONTACT RESISTANCE	: DC 2-4V 1A 20m $\Omega$ OR LESS
WITHSTAND VOLTAGE	: AC 1500V FOR 1 Min
AMBIENT TEMPERATURE	: 0 °C TO 55 °C
ELECTRICAL LIFE	: 6,000 CYCLES

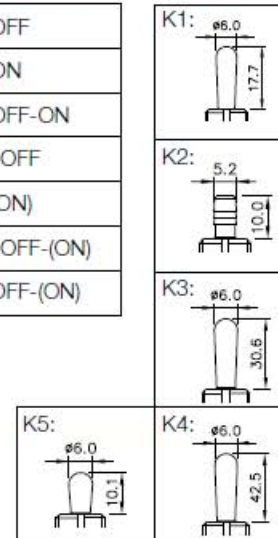
## HOW TO ORDER

702  -  -  -

### SWITCH FUNCTION

7021	: ON-OFF
7022	: ON-ON
7023	: ON-OFF-ON
7024	: (ON)-OFF
7025	: ON-(ON)
7026	: (ON)-OFF-(ON)
7027	: ON-OFF-(ON)

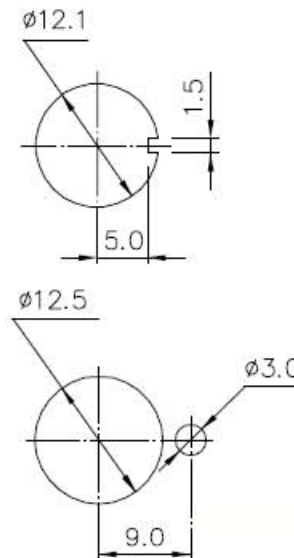
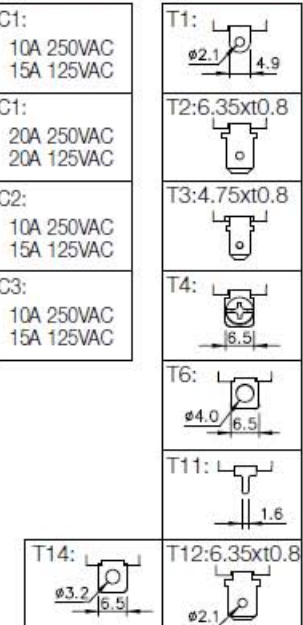
### SHAFT



### RATING

C1:	10A 250VAC 15A 125VAC
C1:	20A 250VAC 20A 125VAC
C2:	10A 250VAC 15A 125VAC
C3:	10A 250VAC 15A 125VAC

### TERMINAL



### PANEL LAYOUT