



Toggle (Snap) Switch

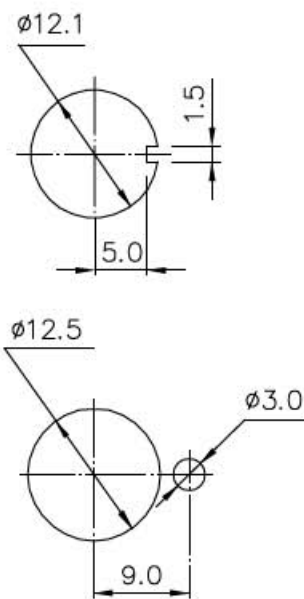
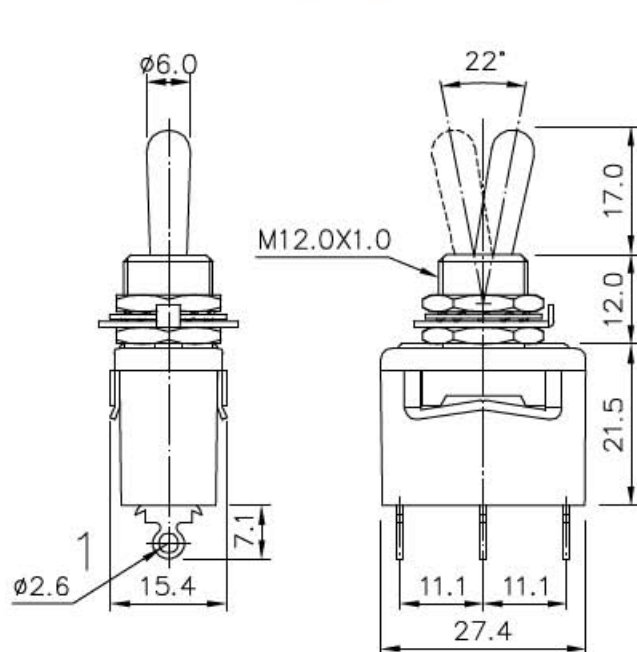


SPECIFICATION



RATING	: 16A 125VAC , 10A 277VAC (UL,C-UL) 16(6)A 250V~T125 (ENEC)
INSULATION RESISTANCE	: DC 500V 100MΩ OR MORE
CONTACT RESISTANCE	: DC 2-4V 1A 20mΩ OR LESS
WITHSTAND VOLTAGE	: AC 1500V FOR 1 Min
AMBIENT TEMPERATURE	: 0 °C TO 125 °C
ELECTRICAL LIFE	: 10,000 CYCLES

601X SERIES



PANEL LAYOUT

HOW TO ORDER

601 □ - □ - □ - □

SWITCH FUNCTION	SHAFT	RATING	TERMINAL
6011 : ON-OFF(UL, C-UL)	K1:	C1: 16(6)A 250VAC	T1:
6012 : ON-ON(UL, C-UL)			T2: 6.35x0.8
6013 : ON-OFF-ON			T3:
6014 : (ON)-OFF	K2:		
6015 : ON-(ON)			
6016 : (ON)-OFF-(ON)			
6017 : ON-OFF-(ON)			