



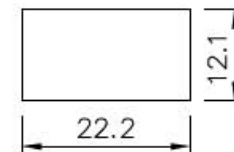
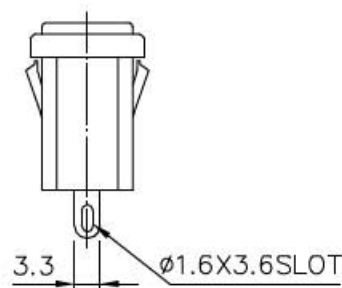
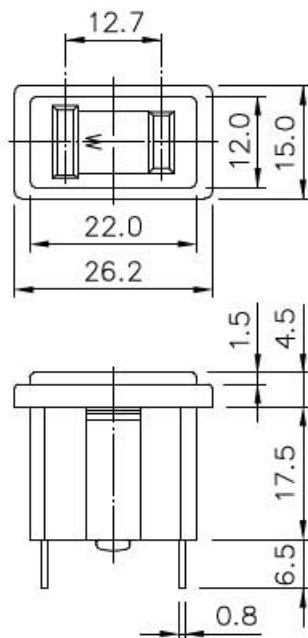
# Socket (Connector)



**3512  
SERIES**

## SPECIFICATION

RATING	: 15A 125VAC
INSULATION RESISTANCE	: DC 500V 100MΩ OR MORE
WITHSTAND VOLTAGE	: AC 1500V FOR 1 Min
AMBIENT TEMPERATURE	: 0°C TO 55°C



MOUNTING HOLE  
(FOR REFERENCE)  
PANEL THICK { 1.0~1.2  
                  { 2.0~2.5