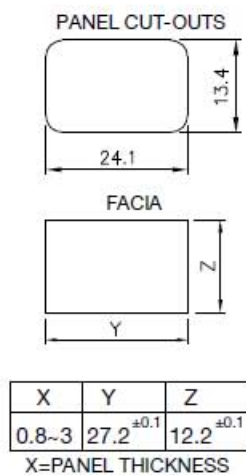
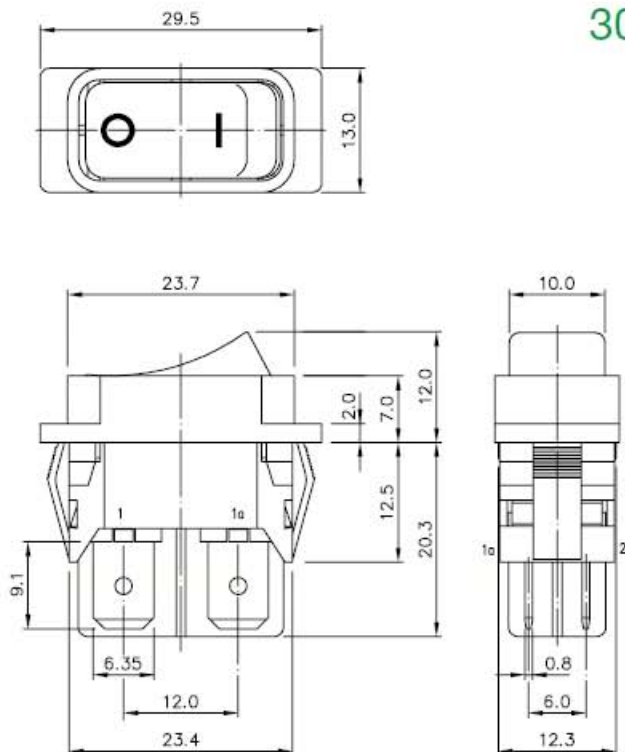




3025 SERIES



SUB-PANEL
(FOR REFERENCE)



SPECIFICATION



RATING	: 16A 125VAC , 10A 250VAC 16(4)A 250V~ T85, 8/128A 250V~T85
INSULATION RESISTANCE	: DC 500V 100MΩ OR MORE
CONTACT RESISTANCE	: DC 2-4V 1A 20mΩ OR LESS
WITHSTAND VOLTAGE	: AC 1500V FOR 1 Min
AMBIENT TEMPERATURE	: 0 °C TO 85 °C
ELECTRICAL LIFE	: 10,000 CYCLES

HOW TO ORDER

3025 - **K1** - □ - □ - □ - □ - □

