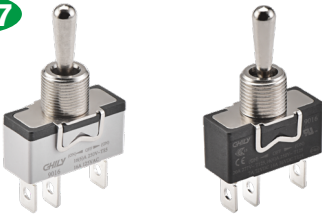


### 901 SERIES

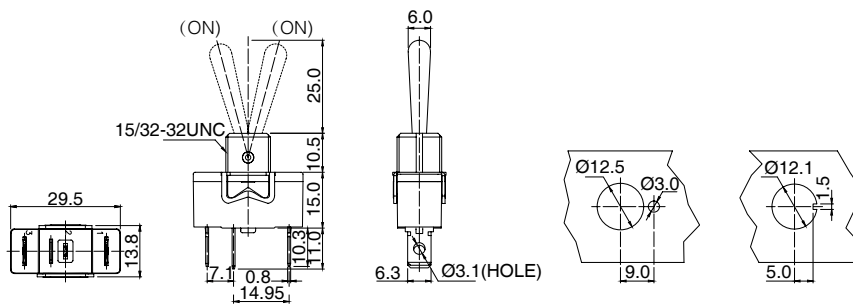
IP67



#### SPECIFICATION

RATING:	20GP/RA 250V~ 25T125 (UL,CUL,ENEC)
	16(6)A 250V~ 40T125 (UL,CUL,ENEC)
	7A 72VDC 14A 36VDC 40T125 (UL,CUL,ENEC)
INSULATION RESISTANCE:	DC 500V 100MΩ OR MORE
CONTACT RESISTANCE:	DC 2-4V 1A 20mΩ OR LESS
WITHSTAND VOLTAGE:	AC 1500V FOR 1 Min
AMBIENT TEMPERATURE:	-40~125°C
ELECTRICAL LIFE:	10,000 CYCLES

#### SIZE



#### HOW TO ORDER

901

SWITCH FUNCTION

KNOB

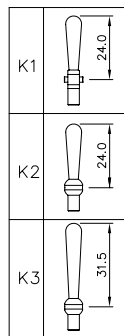
RATING

TERMINAL

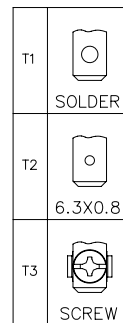
BODY COLOR

MODEL NO.	KEY WAY	KEY WAY	KEY WAY	OPERATIONS
9011	ON	—	OFF	SPST
9012	ON	—	ON	SPDT
9013	ON	OFF	ON	SPDT
9014	(ON)	—	OFF	SPST
9015	ON	—	(ON)	SPDT
9016	(ON)	OFF	(ON)	SPDT
9017	ON	OFF	(ON)	SPDT
9018	ON	—	(OFF)	SPST

K1 IS IP40  
K2,K3 IS IP67



C1	20GP/RA 277V~ 25T125
	16(6)A 250V~ 40T125
	7A 72VDC 14A 36VDC 40T125



BK	BLACK
GY	GRAY